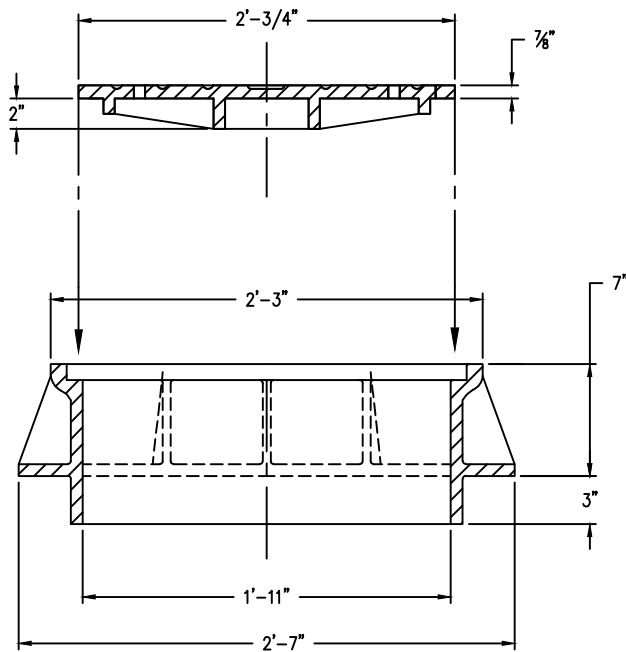


TOP VIEW



SECTION A-A

NOTES:

1. STANDARD FRAME AND COVER TO BE USED ON COLLECTOR, ARTERIAL, AND INDUSTRIAL STREETS OR AS NOTED ON CONSTRUCTION PLANS.
2. SANITARY COVER WILL HAVE TWO 3/4"  $\emptyset$  HOLES.

**OAK LODGE**  
 WATER SERVICES

FRAME & COVER (STANDARD)

DRAWING NO.

**308**

SANITARY SYSTEM STANDARD DRAWING

NO.	REVISIONS	DATE	BY
1			
2			
3			
4			

DATE: 09/12/2017

SCALE: NTS